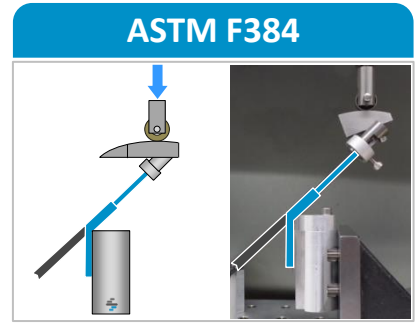
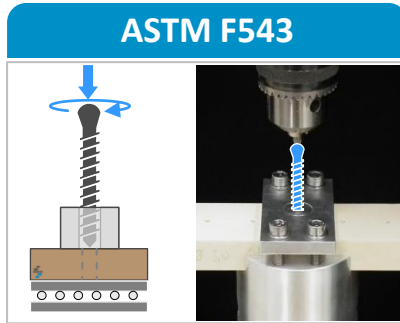
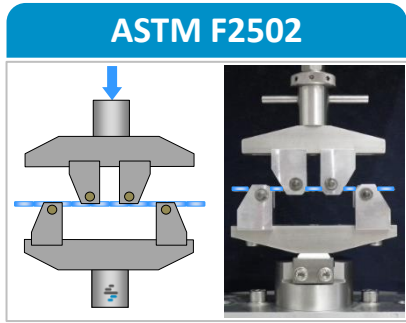
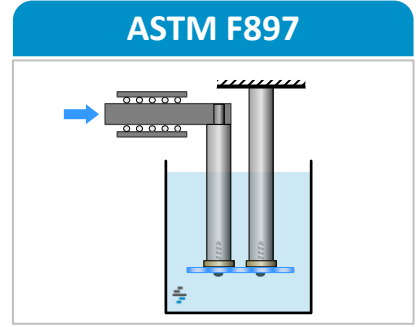
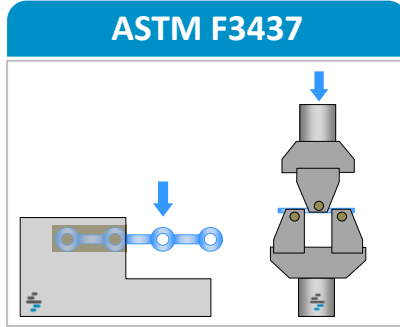
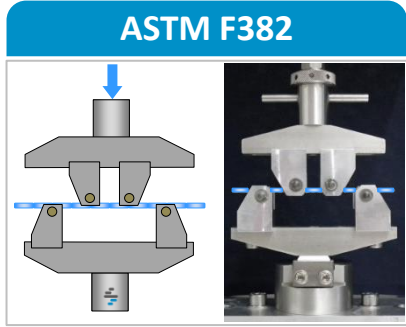
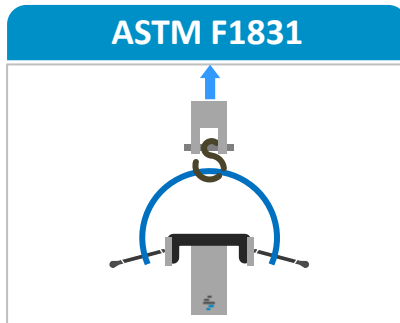
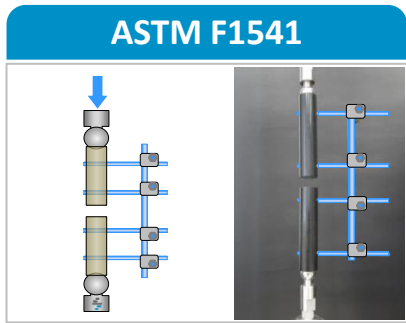


TRAUMA IMPLANTS – Test Methods

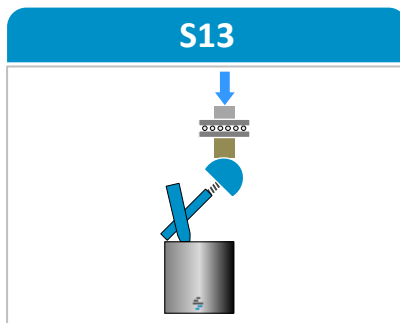
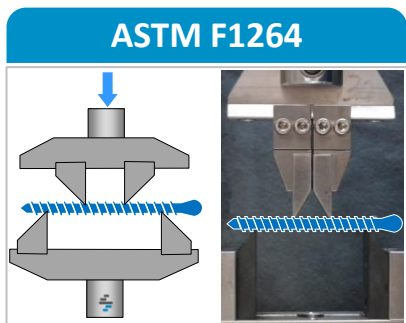
Internal fixators and plates



External fixators

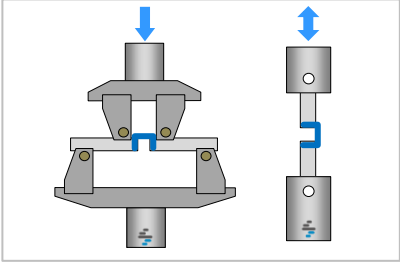


Intramedullary systems

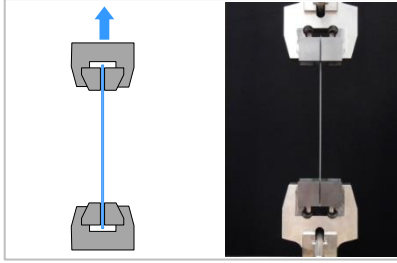


Further trauma implants

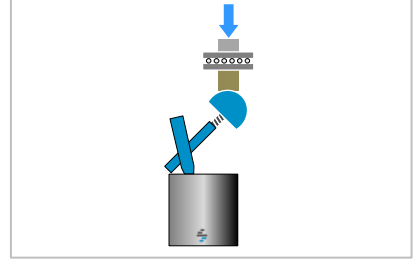
ASTM F564



ASTM F2180



S13



ISO 5838-1

